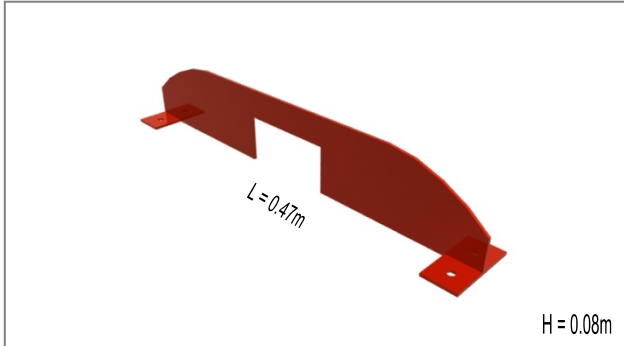
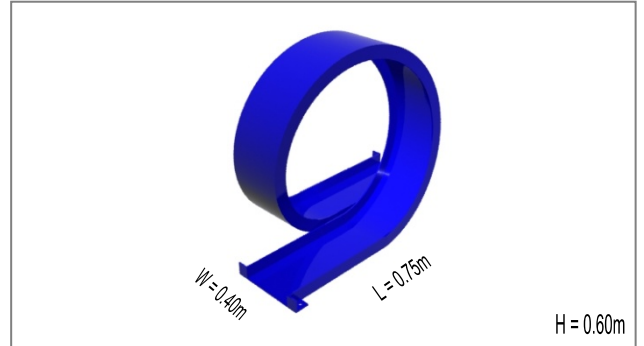




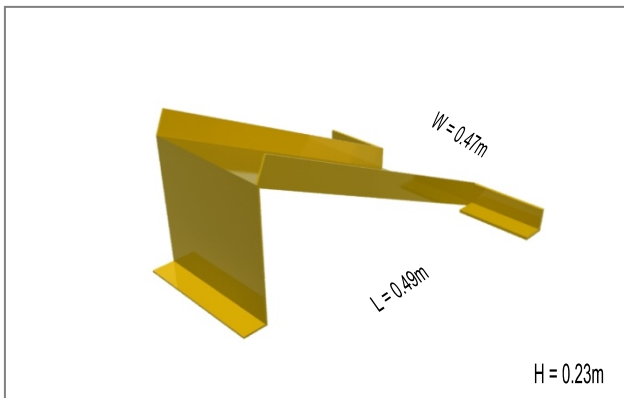
Obstacles



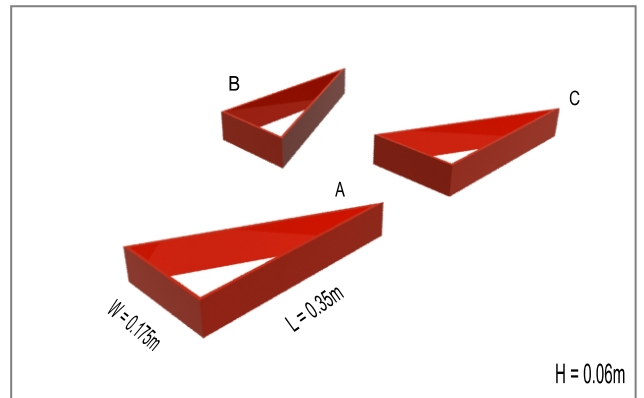
FR 001M



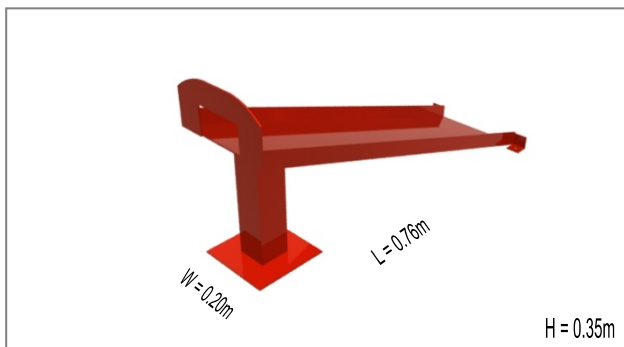
FR 002M



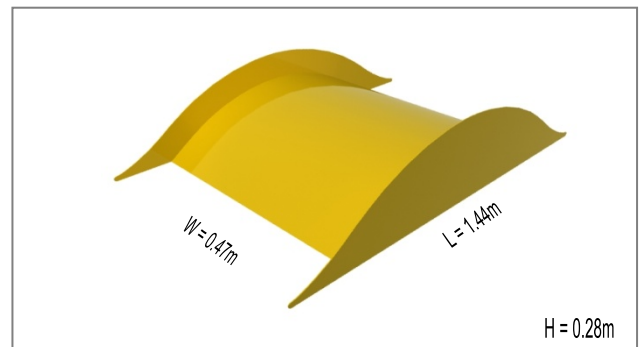
FR 003M



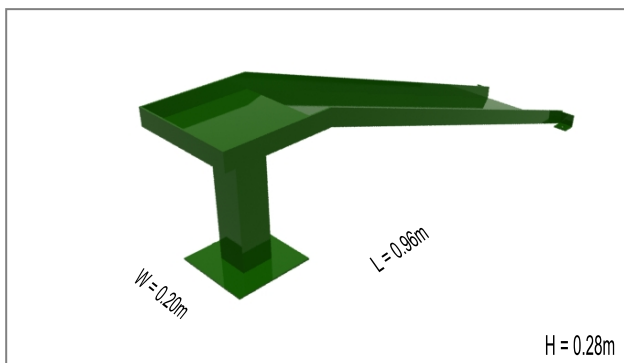
FR 004MA - FR004MB - FR004MC



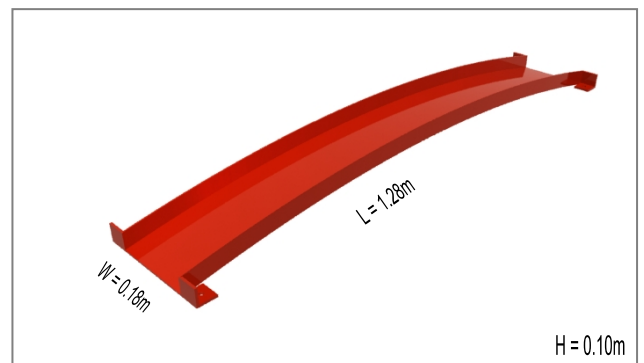
FR 005M



FR 006M



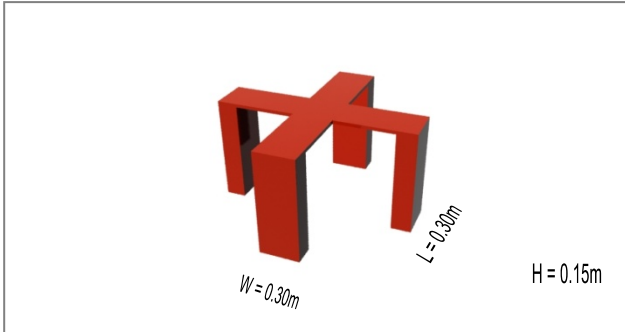
FR 007M



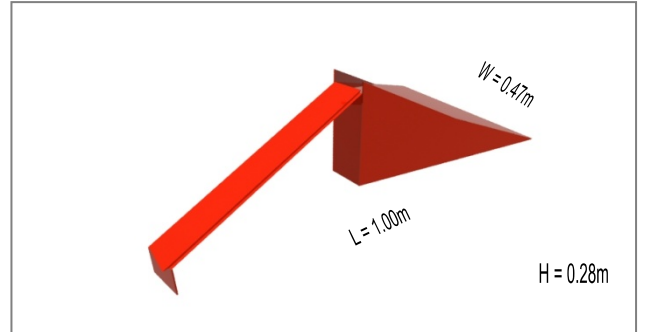
FR 008M



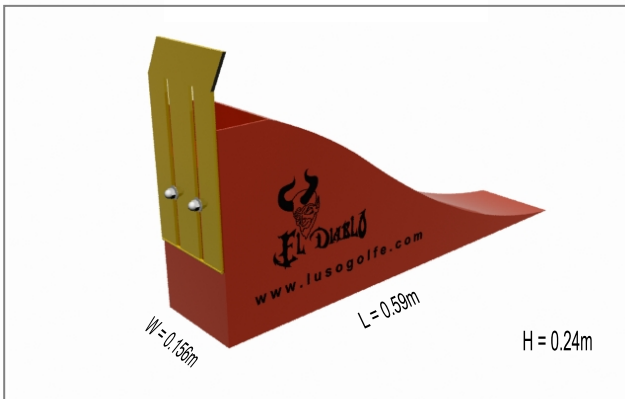
Obstacles



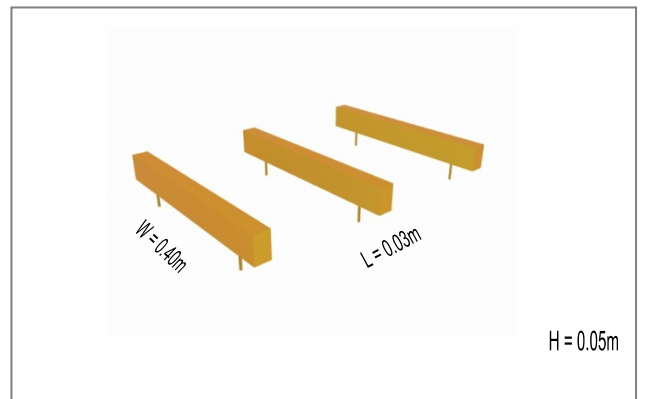
FR 009M



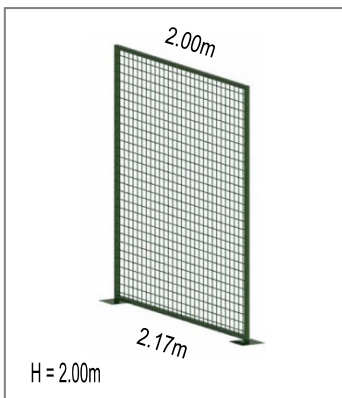
FR 010M



FR 011M



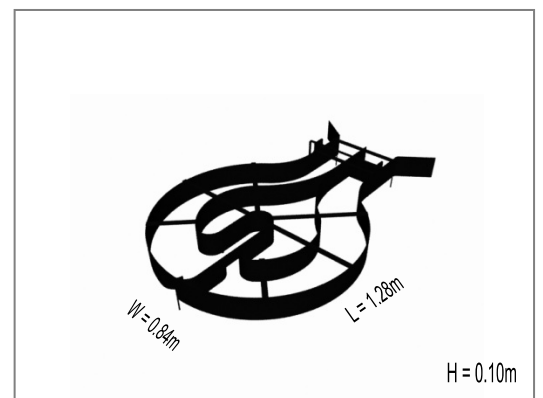
FR 012M



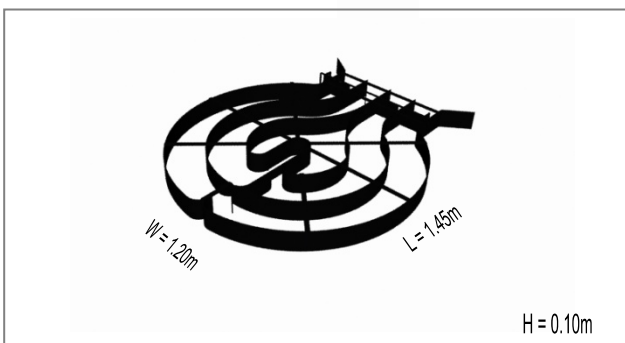
FR 013M



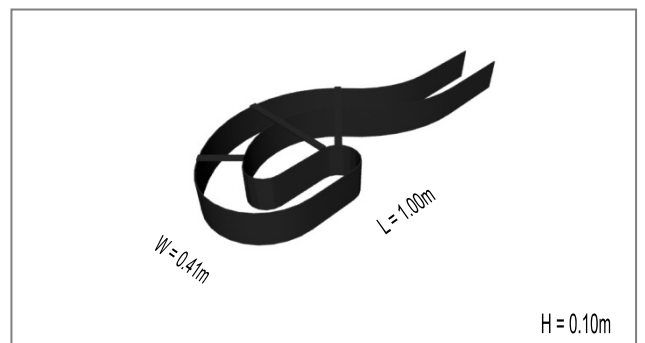
FR 014M



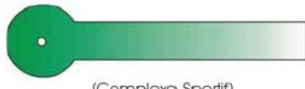
FR 015M



FR 016M

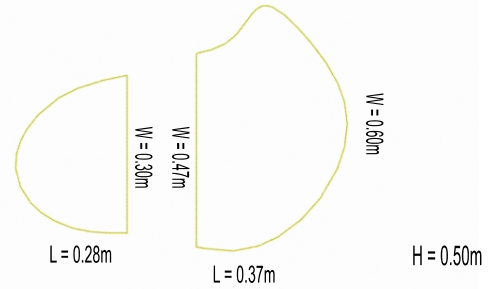


FR 017M

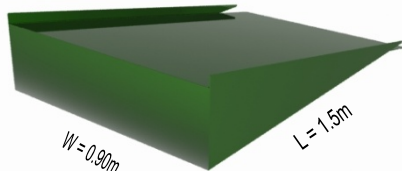


(Complexe Sportif)

Obstacles



FR 018M

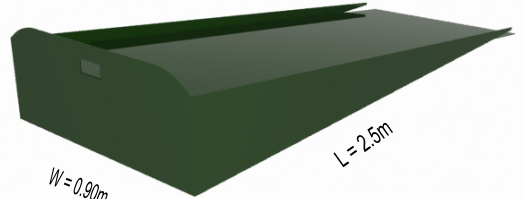


W = 0.90m

L = 1.5m

H = 0.35m

FR 019M

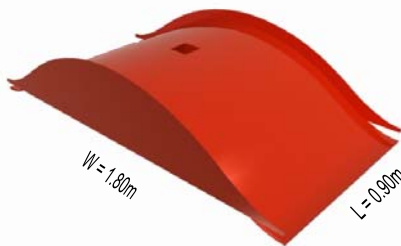


W = 0.90m

L = 2.5m

H = 0.43m

FR 020M

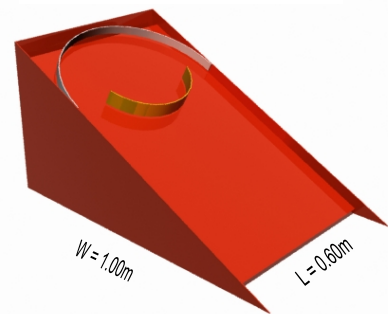


W = 1.80m

L = 0.90m

H = 0.36m

FR 021M

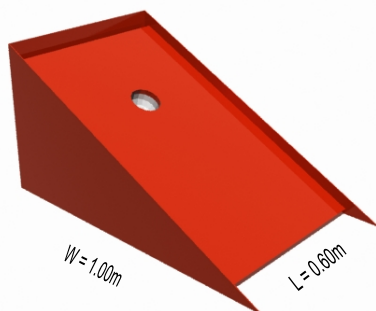


H = 0.40m

W = 1.00m

L = 0.60m

FR 022M

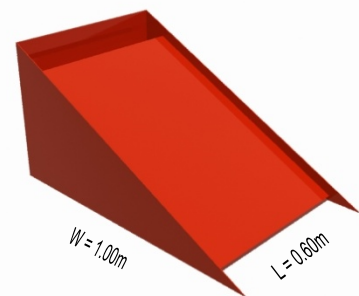


H = 0.40m

W = 1.00m

L = 0.60m

FR 023M



H = 0.40m

W = 1.00m

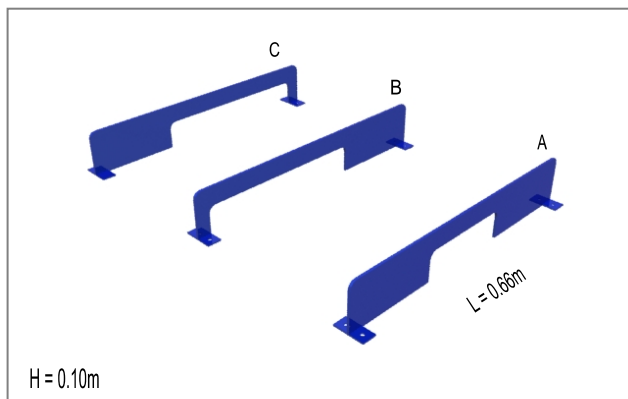
L = 0.60m

FR 024M

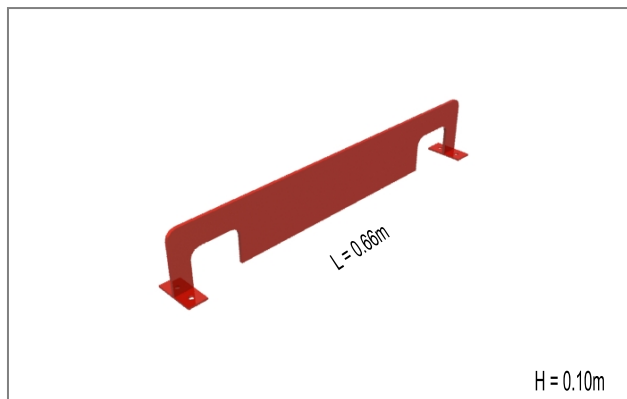


(Complexe Sportif)

Obstacles



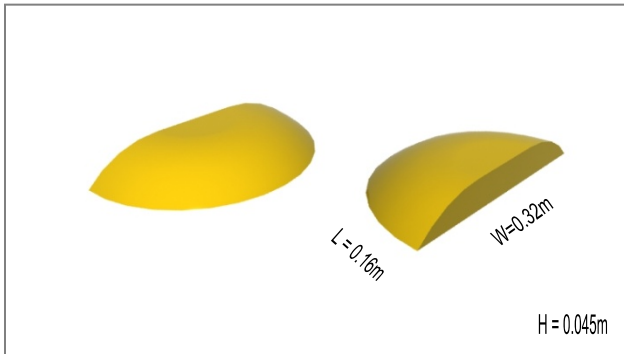
FR 025MA – FR 025MB – FR 025MC



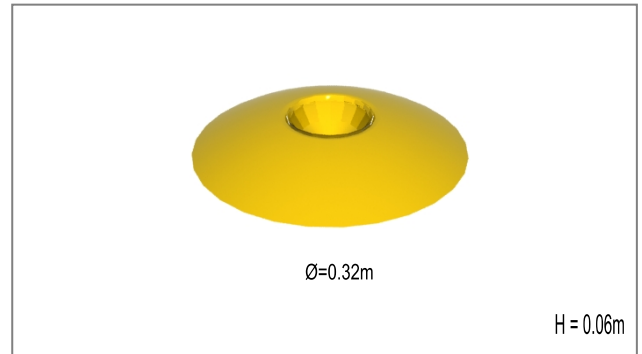
FR 026M



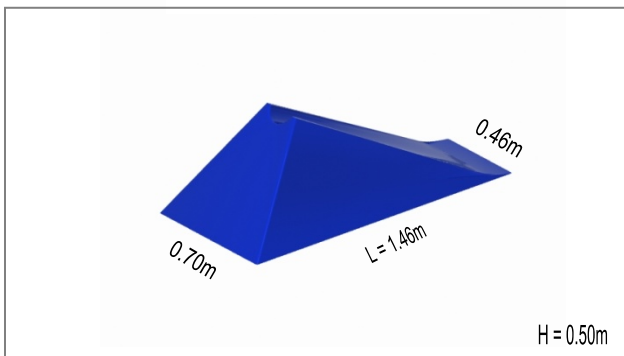
Obstacles



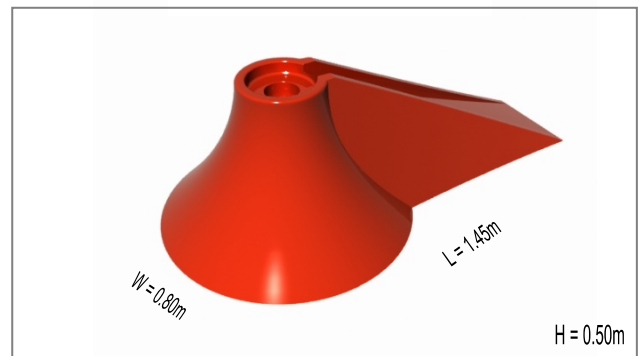
FR 101F



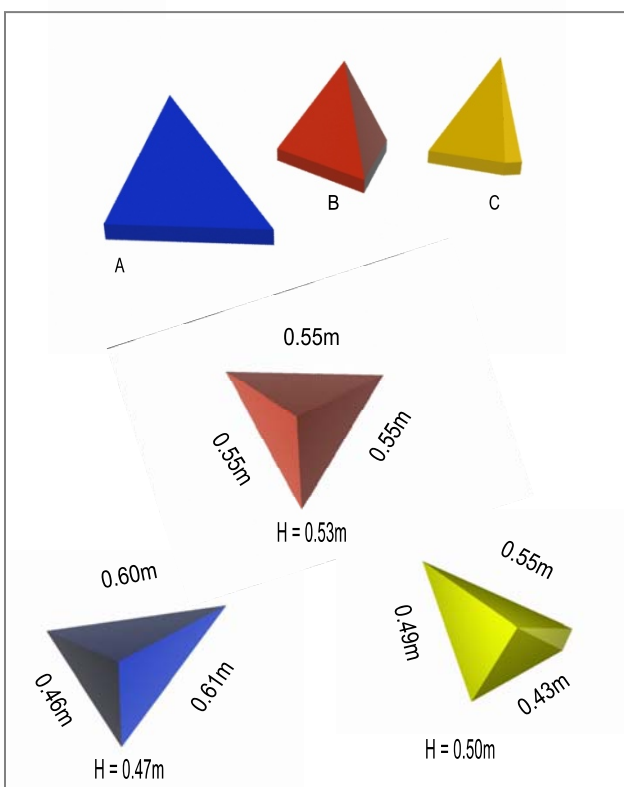
FR 102F



FR 103F



FR 104F



FR 105MFA – FR 105MFB – FR 105MFC